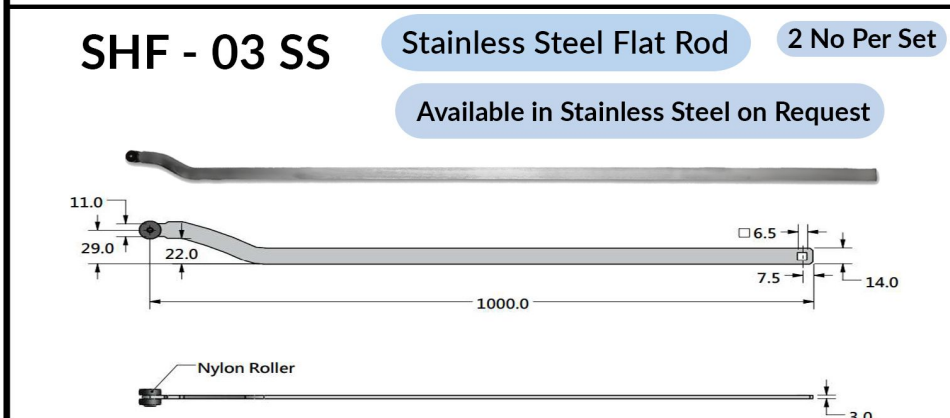
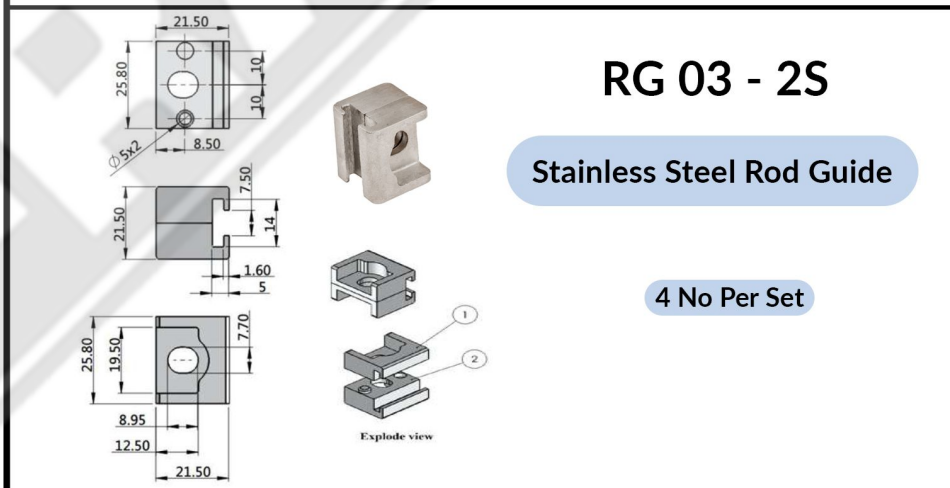
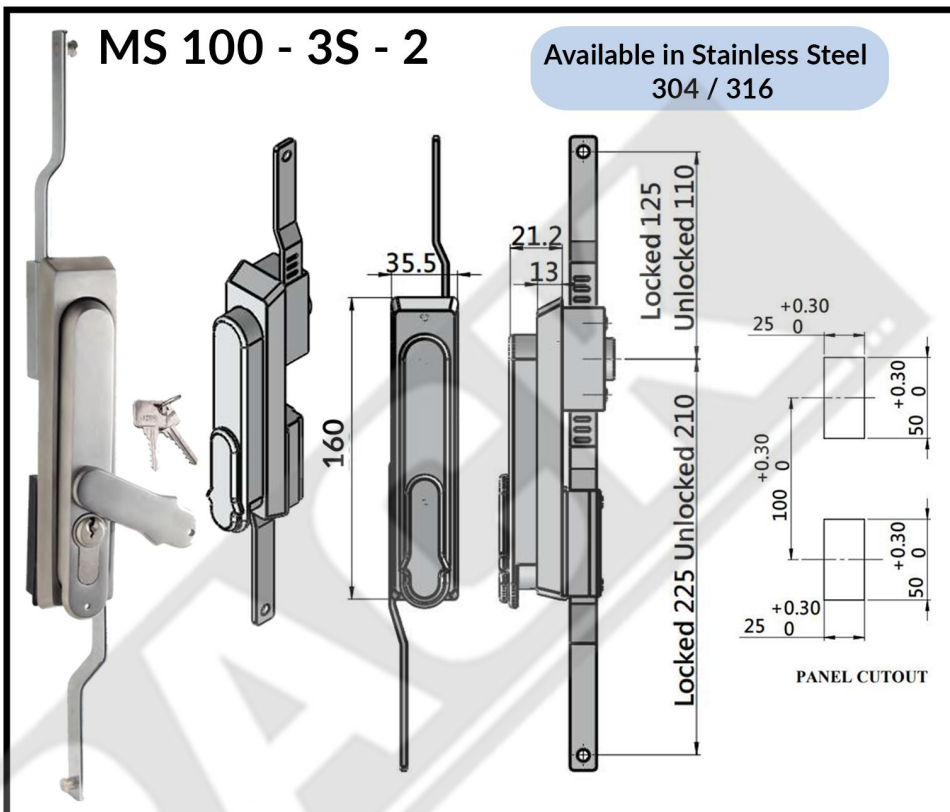
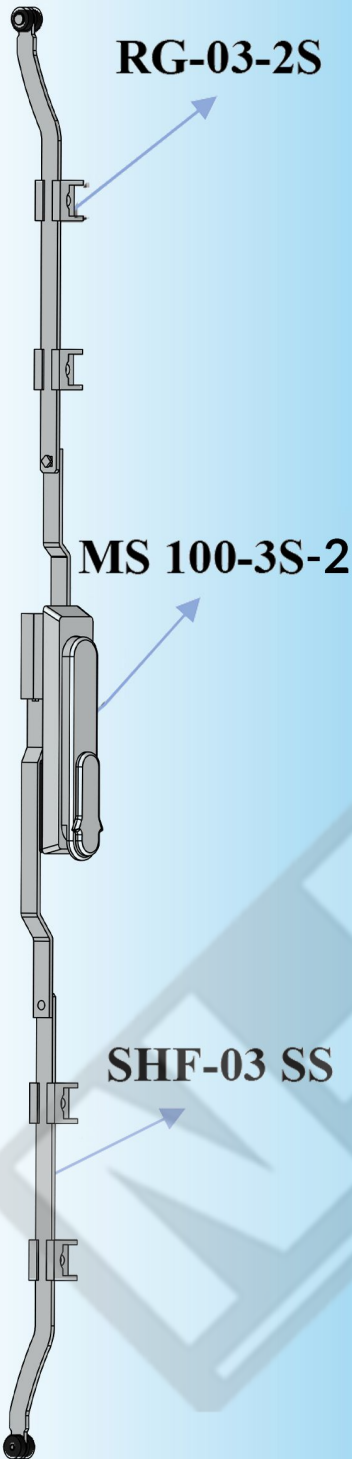


For Product Step File or 3D Model Send a Request Mail To info@nrack.com

**3 Point Lock SS Flat Rod Version Assembly**

**INOX**  
**AISI**  
**3..**



**3 Point Lock SS Flat Rod Assembly & Accessories**